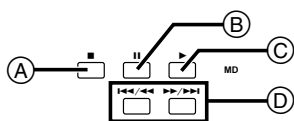
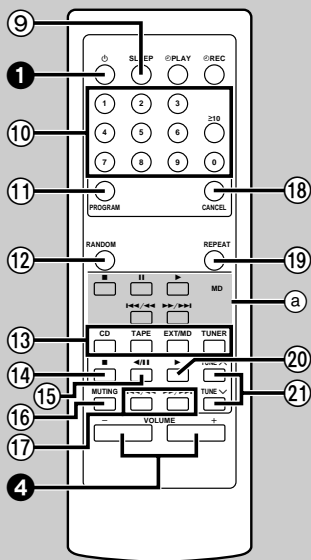
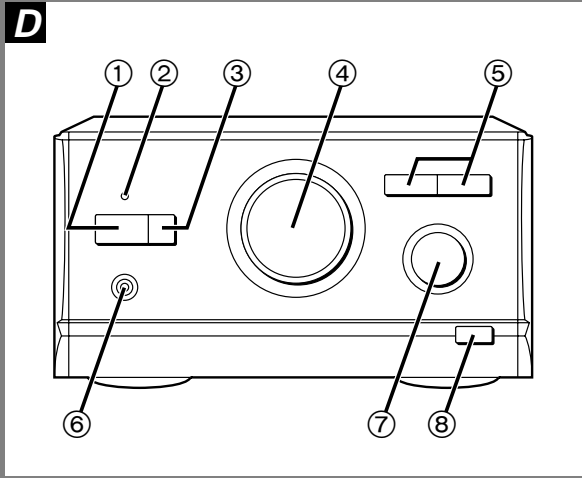
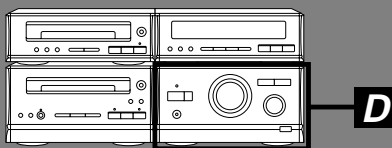


# Front Panel Controls



## Amplifier section

- ① **Standby/on switch (⏻/⏻)**  
Press to switch the unit from on to standby mode or vice versa. In standby mode, the unit is still consuming a small amount of power.
- ② **Standby indicator**  
When the unit is connected to the AC mains supply, this indicator lights up in standby mode and goes out when the unit is turned on.
- ③ **Eco mode button (ECO)**
- ④ **Volume control (VOLUME)**
- ⑤ **Source input select buttons (INPUT SELECTOR v, ^)**
- ⑥ **Headphones jack (PHONES)**
- ⑦ **Fine tweeter control (FINE TWEETER CONTROL)**
- ⑧ **Bass button (BLFS)**

## Remote control

Buttons such as ① function the same as the buttons on the main unit.

- ⑨ **Sleep timer button (SLEEP)**
- ⑩ **Numeric buttons**
- ⑪ **Program button (PROGRAM)**
- ⑫ **Random button (RANDOM)**
- ⑬ **Input selection buttons (CD, TAPE, EXT/MD, TUNER)**
- ⑭ **CD/tape stop button (■)**
- ⑮ **Tape reverse playback/CD pause button (◀/||)**
- ⑯ **Muting button (MUTING)**
- ⑰ **CD skip/search, tape fast forward/rewind buttons (I◀/◀◀, ▶▶/▶I)**
- ⑱ **Cancel button (CANCEL)**
- ⑲ **Repeat button (REPEAT)**
- ⑳ **CD play/tape forward playback button (▶)**
- ㉑ **Tuning buttons (TUNE ^, TUNE v)**

**Minidisc deck operations (when connected to a minidisc deck SJ-HD501 (sold separately))** ①

- A **Stop button (■)**
- B **Pause button (||)**
- C **Play button (▶)**
- D **Skip, fast forward/rewind buttons (I◀/◀◀, ▶▶/▶I)**